

S7424701, S7424702, S7424703 - Thermostatic Roman Tub Filler With Handshower

Description

- Thermostatic Roman Tub Filler
- Two way diverter with stop
- Brass tub spout
- Single setting handshower with pause function
- 59" Metal shower hose
- 1.8 GPM @ 60 PSI handshower
- 18 GPM @ 60 PSI Tub filler

Standards

- Complies with IAPMO UPC/cUPC
- ASME A112.18.1
- Complies with B125.1
- ADA Accessibility Guidelines for Buildings and Facilities - 4.27.4
- ASSE 1070 Certified and listed



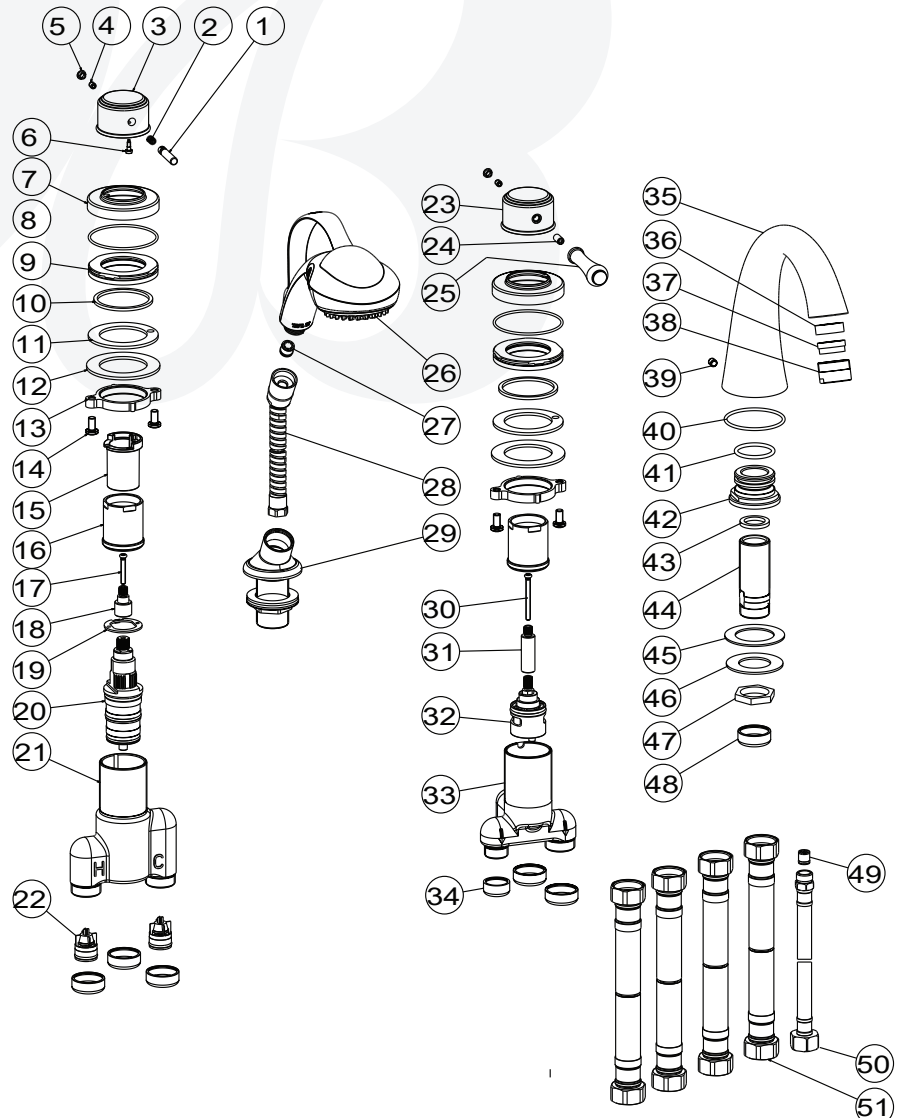
• S7424701 - Chrome

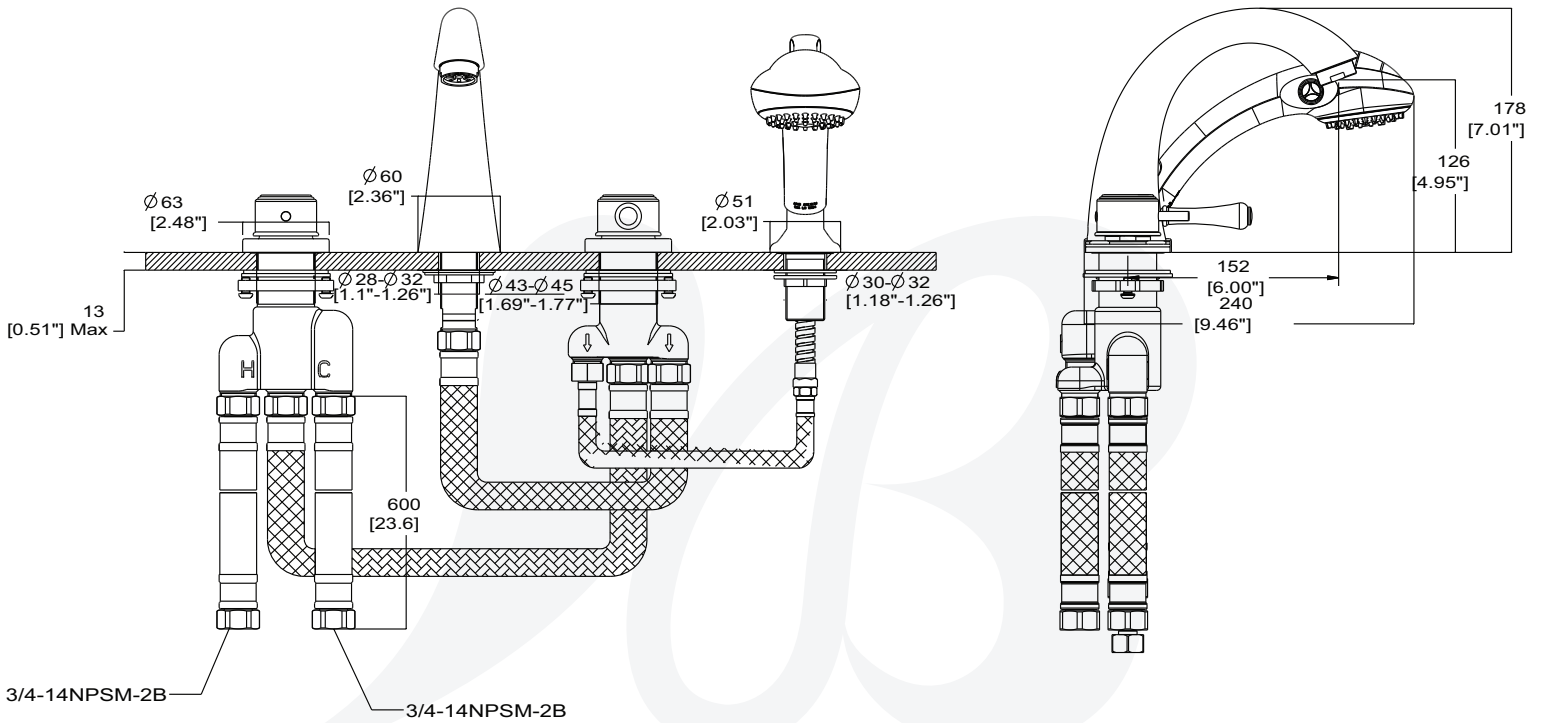
Colors / Finishes

- S7424701 - Chrome
- S7424702 - PVD Satin Nickel
- S7424703 - Antique Bronze

BREAK DOWN

NO.	Drawing No.	Part Desc	Qty
1	CTHB0373	PUSH-BUTTON	1
2	CTBT0099	SPRING	1
3	CTDB0614	HANDLE BODY	1
4	CTST0117	SCREW	2
5	CTCP0072	CAP	2
6	CTBB0035	PIN	1
7	CTCB0938	COVER	2
8	CTRR0247	O-RING	2
9	CTNB0416	NUT	2
10	CTWR0384	WASHER	2
11	CTWR0350	WASHER	2
12	CTWT0107	PLATE	2
13	CTNB0415	NUT	2
14	CTST0308	SCREW	4
15	CTCP0561	STOP-RING	1
16	CTCB0937	LOCK SLEEVE	2
17	CTST0050	SCREW	1
18	CTMB0879	ADAPTER	1
19	CTKT0073	LOCATING RING	1
20	ATBA0370	CARTRIDGE	1
21	CTYB0765	BODY	1
22	ATBA0373	CHECKSTOP	2
23	CTDB0615	HANDLE BODY	1
24	CTST0136	SCREW	1
25	CTHB0187	HANDLE	1
26	ATBE0201	SHOWER	1
27	ATBA0212	CHECKSTOP	1
28	ATBP0070	HOSE	1
29	ATBQ0256	SUPPORTER	1
30	CTST0309	SCREW	1
31	CTMB0880	ADAPTER	1
32	ATBA0239	DIVERTER	1
33	CTYB0766	BODY	1
34	CTQP0023	COVER	1
35	CTFB0275	SPOUT	1
36	CTWR0018	WASHER	1
37	CTQP0030	AERATOR	1
38	CTXB0021	AERATOR COVER	1
39	CTST0153	SCREW	1
40	CTRR0108	O-RING	1
41	CTRR0137	O-RING	1
42	CTDB0131	BASE	1
43	CTWR0146	WASHER	1
44	CTPB0649	SHANK	1
45	CTWR0115	WASHER	1
46	CTWT0038	PLATE	1
47	CTNB0156	NUT	1
48	CTQP0073	COVER	6
49	ATBA0100	CHECKSTOP	1
50	ATBP0071	HOSE	1
51	ATBP0516	HOSE	4





Inches marked in parentheses []

Item Number	Type	Date
S7424701	Thermostatic Roman Tub Filler	12/28/2017